

1 2 3 4 5 6 7 8

A

B

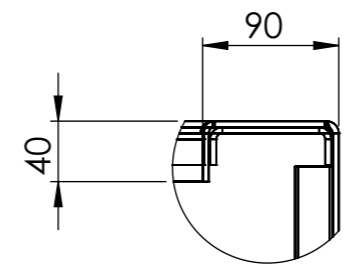
C

D

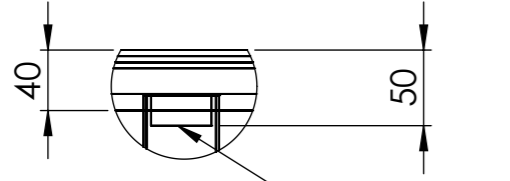
E

F

1 2 3 4

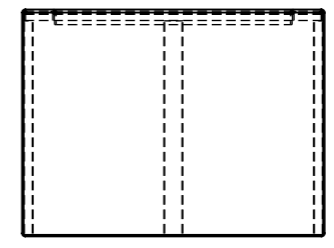
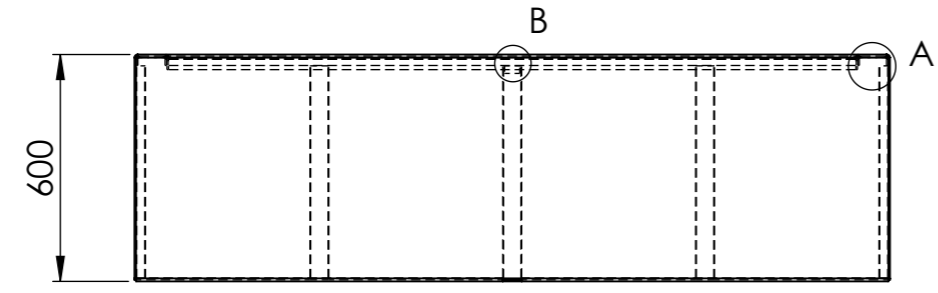
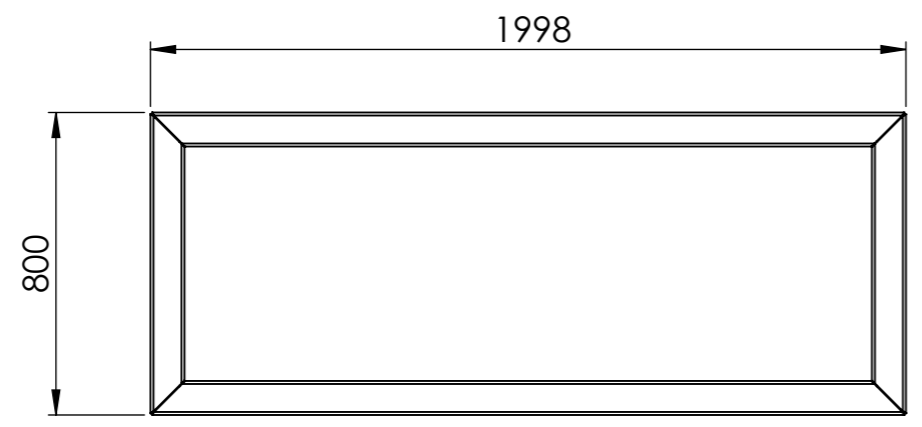
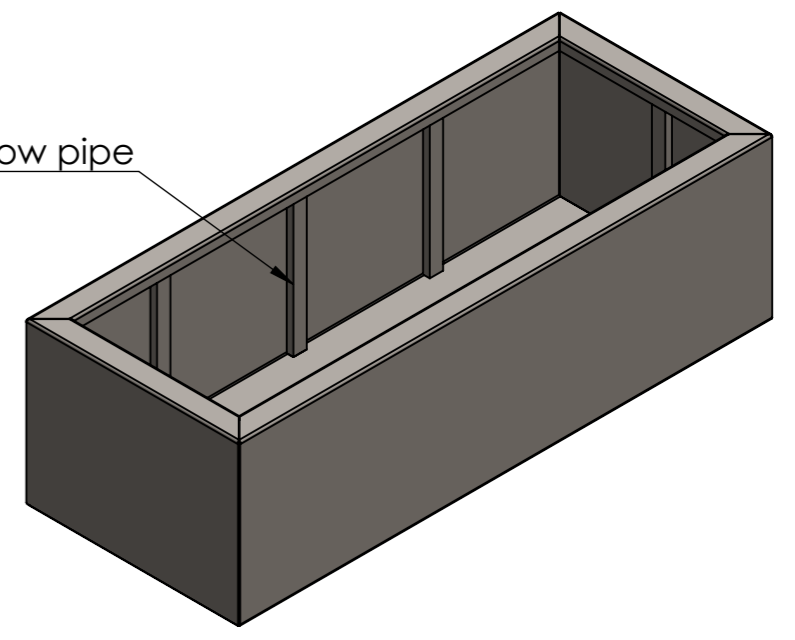


DETAIL A
SCALE 1 : 5



DETAIL B
SCALE 1 : 5
Overflow

Overflow pipe



DRAWN	Luuk van den Heuvel	DATE	23-5-2023		TITLE:	Aluminum 4mm	
REVISION					Drawing:	VA9	A3
		Liessentstraat 4, 5405 AG Uden (NL). † 0031 (0)413 - 27 41 68. e info@adezz.com, i www.adezz.com		Color:	-	Mass (kg):	69.38
				SCALE:1:20	SHEET 1 OF 10		